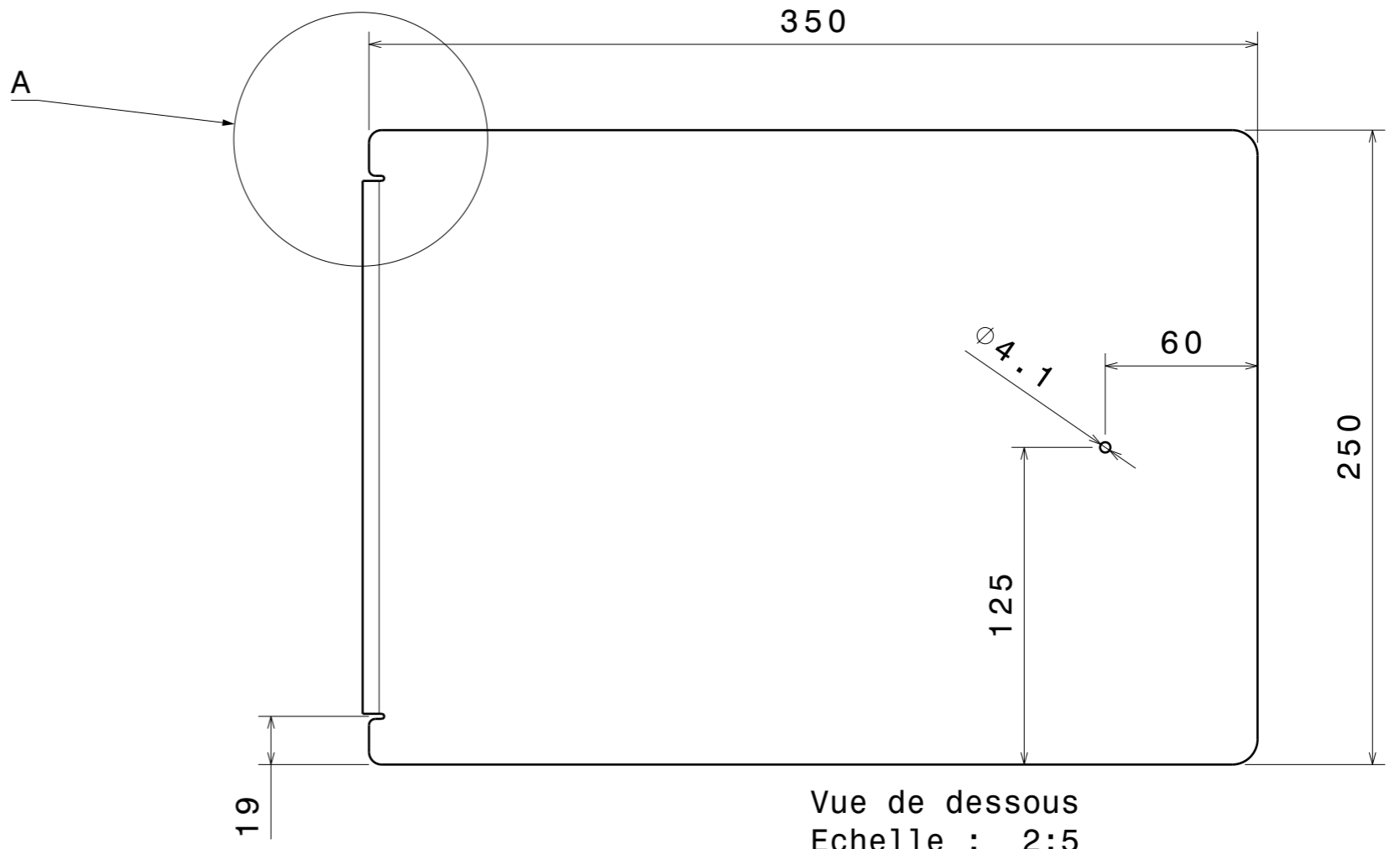
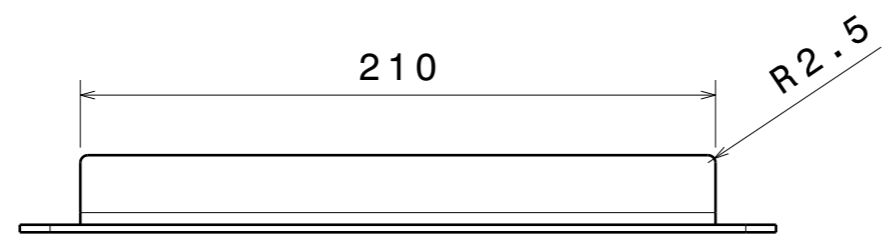


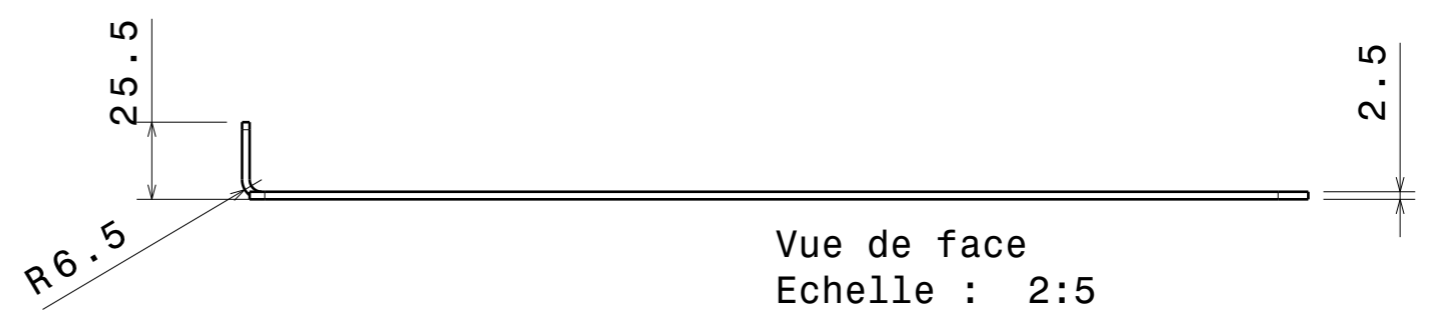
Détail A
Echelle : 4:5



Vue de dessous
Echelle : 2:5



Vue de droite
Echelle : 2:5



Vue de face
Echelle : 2:5

DESIGNED BY: grison-j		Ply Name	XXXX	I	-
DATE: 25/11/2020		Material	Aluminium	H	-
CHECKED BY: XXX		Direction	XXXX	G	-
DATE: XXX		Thickness	2.5mm	F	-
SIZE A3		SequenceID	XXXX	E	-
SCALE 2:1		GroupID	XXXX	D	-
	WEIGHT (kg) XXX			C	-
				B	-
This drawing is our property; it can't be reproduced or communicated without our written agreement.				A	-